

NICE SLIGHT DISCREET AND INTELLIGENT

THE NEW EXTRA-SMALL MOTOR
FOR SLIDING GATES
WITH A PRACTICAL LED LIGHT.



Nice

SLIGHT

SOLEMYO OPERA BLUEBUS 24V

Nice motor for sliding gates up to 400 kg with leaf length up to 6 m.

Motor with built-in control unit and absolute encoder.

Innovative ultra-compact design: the vertical configuration of the motor makes it easy to install even in narrow openings.

User-friendly: thanks to the BlueBUS system, it allows the control unit to be connected to up to 7 pairs of Moonbus series photocells and control, security and signalling devices with just two wires.

Built-in LED light: programmable as either a flashing or courtesy light, it warns of gate movement during opening and closing.

Master/slave selection: for automatic synchronisation even of 2 motors, allowing automation of sliding gates with two opposing leaves.

Intelligent: thanks to obstacle detection and automatic working time programming.
Self-diagnostics with flashing light signalling.

Safe: adjustable acceleration and deceleration at the start and end of every opening and closing operation.

Built-in absolute limit stop:

- simple and precise regulation thanks to the rapid learning in a single movement with the motor released;
- no bracket or accessory to be installed on the ratchet;
- particularly suitable in snow areas.

Practical: control unit and optional PS124 buffer batteries can be connected by means of practical guided - connector.

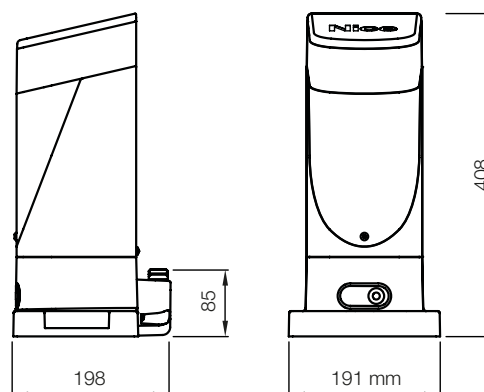


CODE	DESCRIPTION	PACK/PALLET
SLH400	IRREVERSIBLE, 24 Vdc, WITH BUILT-IN CONTROL UNIT AND ABSOLUTE ENCODER WITH BUILT-IN LED LIGHT	16

TECHNICAL SPECIFICATIONS

CODE	SLH400
ELECTRICAL DATA	
POWER SUPPLY (Vac 50/60 Hz)	230
ABSORPTION (A)	1.1
POWER (W)	250
PERFORMANCE DATA	
SPEED (m/s)	0.34
FORCE (N)	400
WORK CYCLE (CYCLES/HOUR)	35
DIMENSIONAL AND GENERAL DATA	
PROTECTION LEVEL (IP)	44
WORKING TEMP. (°C MIN/MAX)	-20 ÷ +50
DIMENSIONS (mm)	191x198x408 h
WEIGHT (kg)	8

DIMENSIONS



ACCESSORIES

ACCESSORIES



NKA3
SPARE CONTROL UNIT.
PC/PACK 1



PS124
24 V BATTERY
WITH INTEGRATED
BATTERY CHARGER.
PC/PACK 1



ROA6
M4 25x20x1000 mm SLOTTED
NYLON RACK WITH METAL
INSERT FOR GATES
WEIGHING UP TO 500 kg.
PC/PACK 10



ROA7
M4 RACK, ZINC COATED,
22x22x1000 mm.
PC/PACK 10



ROA8
M4 RACK, 30x8x1000 mm,
ZINC COATED WITH
SPACERS AND SCREWS.
PC/PACK 10



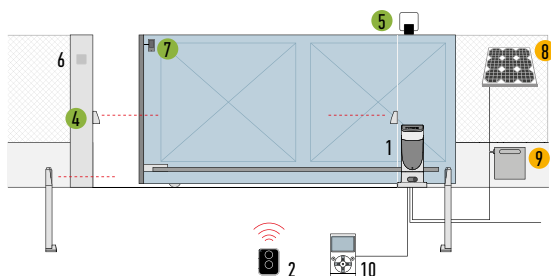
TS
SIGNBOARD.
PC/PACK 1

KIT SOLEMYO



- THE SOLAR POWER KIT SOLEMYO TO AUTOMATE GATES, GARAGE DOORS OR BARRIER GATES, INCLUDING THOSE LOCATED FAR FROM THE POWER MAINS AND WITHOUT THE NEED FOR COSTLY AND INVASIVE EXCAVATION WORK.

INSTALLATION DIAGRAM



1. MOTOR
2. TRANSMITTER
3. PHOTOCELLS MOUNTED ON POSTS
4. PHOTOCELLS
5. FLASHING LIGHT
6. DIGITAL OR KEY SWITCHES
7. SENSITIVE EDGES SENSOR
8. SYP SOLAR PANEL
9. PSY24 BATTERY BOX
10. 0-VIEW MULTIFUNCTION DISPLAY

- ACCESSORIES ALSO AVAILABLE FOR THE Solemyo Air Net System WIRELESS VERSION
- Solemyo SOLAR POWER ACCESSORIES

NICE TOTAL CONTROL

INTEGRATED SOLUTIONS FOR THE HOME.
EASE OF USE, AESTHETIC QUALITY, SAFETY.

NICE KEEPS THE HOME UNDER CONTROL
WITH JUST A FEW, SIMPLE GESTURES.

THANKS TO THE NEW ERA TOUCH CONTROL UNIT,
AUTOMATIONS FOR GATES, GARAGE DOORS
AND ROLLING DOORS, AWNINGS AND SHUTTERS
CAN ALL BE MANAGED THROUGH A SINGLE
SUPPORT, AS LIGHTING AND ALARM SYSTEMS.

NICE IS INNOVATIVE SOLUTIONS
THAT SIMPLIFY LIFE.



Nice

Nice SpA
Oderzo TV Italia
Ph. +39.0422.85.38.38
info@niceforyou.com

Find out more about Nice
products and services on the website:
www.niceforyou.com



NiceLoveEarth

Nice cares for the environment.
Using natural paper it avoids excessive use
of raw materials and forest exploitation.
Waste is reduced, energy is saved
and climate quality is improved.