



Fenster-Markise  
ERHARDT SOK  
(Senkrecht offen)

# ERHARDT SOK

 **ERHARDT<sup>®</sup>  
MARKISEN**

*... mein Sonnenschein*

# MATERIAL

At sheltered sites, e.g. under a balcony floor, the "open" "SOK ERHARDT" as sun and privacy protection. The "ERHARDT SOK" is an "open" vertical awning without a cartridge and without rain roof. The lateral guidance of the case profile is carried out by Stainless steel cables, the most by a special technology leadership projection Profile be conducted. The ropes are in the pen with a pressure biased in order to achieve sufficient wind stability. the Awning fabric with a sturdy 78mm shaft and a 35 mm extruded Aluminum front profile fitted.

Standard models of the aluminum profiles and the necessary mounting brackets supply with RAL 9016, RAL 9006 white aluminum and DB 703. Other RAL colors are possible. The motor is optional on awnings (with 63 mm roller tube and max. possible up to 400 cm height) the minimum width of 59 cm with motor drive and wireless actuators of 76 cm required.

The "ERHARDT SOK" is characterized by a fast and easy Mounting.



Manual Gear



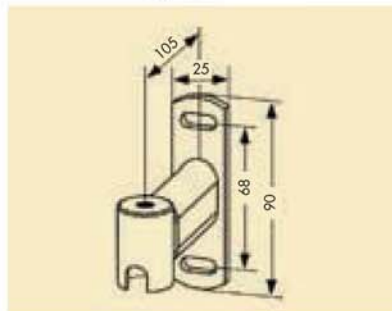
Operating handle 90 °



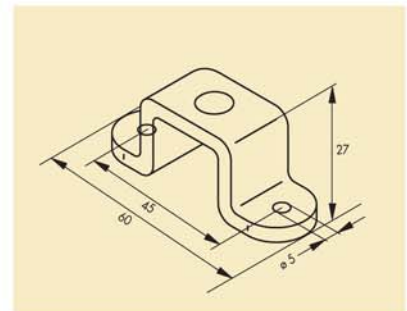
Operating Handle 45°



The mounting bracket is suitable for Wall and ceiling mounting.



Security cable to the back of SPAN ANGLE.



Rope guy down on SPAN BOCK.



The service side is seen from the inside.  
System is possible only with rope guy.  
The universal wall and ceiling brackets are included in the price.