



FRAMEE

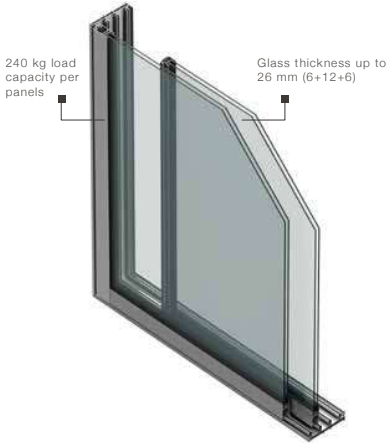
Framee is sliding glass system with fine-framed double glazed panels

System is made of fine-framed aluminum profiles with modern design & suitable especially for large-area applications and completed with stylish and functional accessories perfectly matching with modern architectural living spaces. System offers a comfortable sliding with silent movement and allows individual sliding panels to be moved horizontally to one side or both in parallel.

Framee provides reinforced profile designs for customized static values, condensated frame profile design as well as glazing up to 26mm thickness.

System is ease of install with compact connection details.

FRAMEE



Stainless steel bottom rail for easy and smooth movement



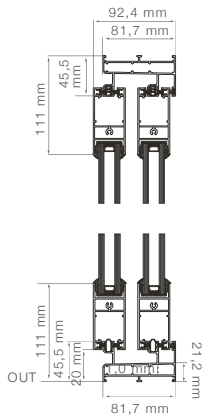
Taking up minimum space in open position up to 8 panels option

Rubber cord for feature a smooth, compact look and concealed soft-close technology

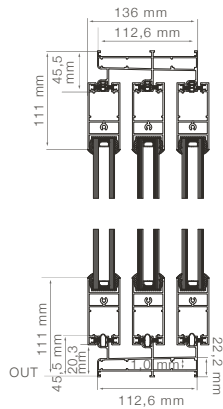


Section Details

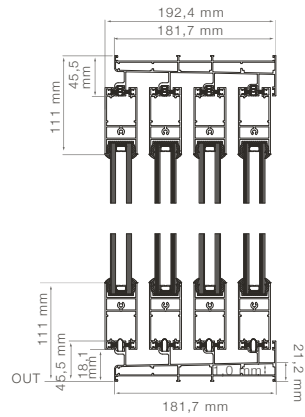
2 Rails



3 Rails



4 Rails

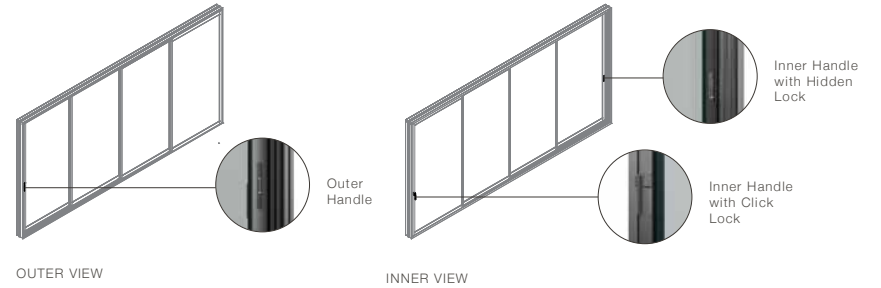


Technical Specifications	Measurements	
System Depth	Frame	62/75/81 mm
	Sash	38 mm
Air Permeability	Fixed	20-28/6-14 mm
	Opening Sash	23/26 mm

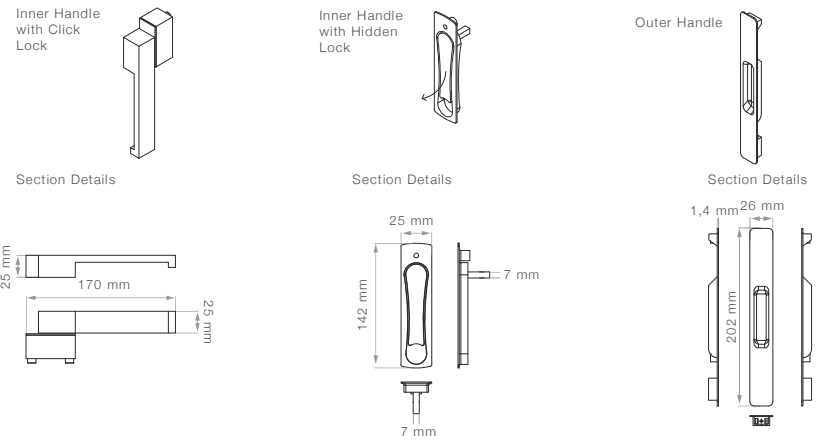
Performance Criteria	Classification	Test Standards
Thermal Transm. Coeff.*	-	-
Air Permeability	Class 8A (450 Pa)	EN 1026 EN 12207
Water Tightness	Class 4 (600 Pa)	EN 1027 EN 12208
Resistance to Wind	Class B2 (800 Pa)	EN 12210

* Special condensation calculations for the project were separately carried out.
** Please contact us to obtain reports that contain the relevant performance values.

Handles & Lock Positions



Handles & Lock Types



Anodising Brushed Color Options

